



BCO Parts
 Phone: 847-455-1686
 Fax: 847-455-1706
info@bcoparts.com

PRODUCT DESCRIPTION

The 2X4FT LED linear troffers are DLC Listed, delivers high lumens of exceptional 82+ CRI light while achieving 91 lumen per watt. It is available in 4000k,5000k DLC CCT options and has 0-10V dimming available, which is perfect for new construction applications or retrofitting existing fluorescent troffer light fixtures with recessed installation, widely used in office spaces, major retail stores, education, government, healthcare, and hospitality.

PRODUCT SPECIFICATIONS

- **LED Chip**
 Use approved LM-80 SMD packing, Active color management maintains superior color consistency over time and temperature. Each fixture is tuned as a complete system to the optimal color point before shipment, ensuring fixture-to-fixture color consistency.
- **Heat Sink**
 The source and radiator distribution in fixture around, heat source distribution placed solve heat concentration, quantity of heat conduction of each other and radiation, effective to solve thermal management system design of the cooling.This enables the LEDs to consistently run cooler, providing significant boosts to lifetime, efficacy, and color consistency.
- **Optical System**
 Proprietary optical system utilizes a unique combination of reflective and refractive optical components to achieve a uniform, comfortable appearance. Use guide plate printing high density pixels to shine, and has the light even, shiny surface, no shelter Angle, and no glare, high efficacy.

ELECTRICAL SYSTEM

- High efficiency driver and power supply.
- Power Factor > 0.90(277V)
- Input Power: Stays constant over life
- Diver Input: AC100-277 V 50/60Hz
- Diver output: DC36V 1.2A
- Temperature Rating: Designed to operate in temperatures 50°C and below room side and plenum side.

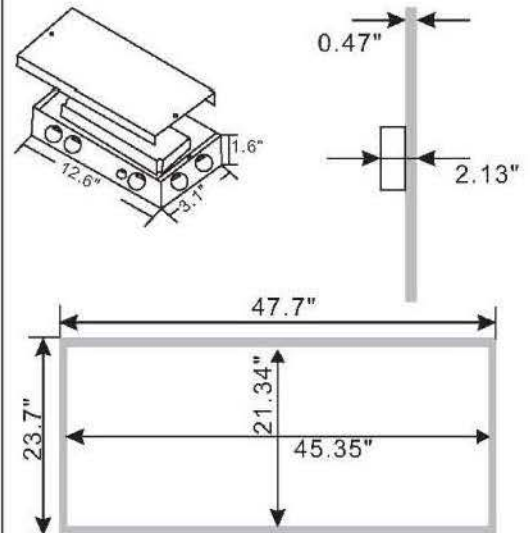
ORDER INFORMATION

| Product category | Size | Dimming | Fixture wattage | DLC CCT |
|------------------|----------|--------------------|-----------------|----------------------|
| CL-PL2X4DM-50K | 24=2'X4' | D=0-10v Dimming | M=50W H=63W | 40=4000k 50=5000k |

www.bcoparts.com
 Telephone 847-455-1686 · Fax 847-455-1706

2'X4' FLAT LED PANEL

50W 4600LM
63W 5500LM



Recommend Dimmer:

Leviton cat,Nos:
 AWRMG-7XX AWSMG-7XX
 AWSMT-7XX IP710-LFZ/DLX
[Http://www.leviton.com](http://www.leviton.com)

Lutron cat,Nos:
 DIVA-DTV NOVA-NVTV
 NOVAT-NTFTV W/PP20
[Http://www.lutron.com/en-US](http://www.lutron.com/en-US)





BCO Parts
 Phone: 847-455-1686
 Fax: 847-455-1706
 info@bcoparts.com

PERFORMANCE SUMMARY

- Efficacy: 91LPW
 - Delivered Light Output: 4600Lumens
 - Input Power: 50Watts
 - CRI: Ra>82
 - DLC CCT Options: 4000k,5000k
 - Input Voltage: 120-277 VAC
 - Input current:0.5-0.2A
 - THD:<20%(at 277V)
 - Standard Warranty: 5 Years
 - Standard Lifetime: Designed to L70 minimum 50,000 hours
 - Mounting: Recessed
 - Dim on 0-10V dimmer switch, 10%-100% smooth linear dimming
 - Sign Current:0.04-0.21MA
 - Dimensions: L 47.7" x W 23.7" x H 2.1"
 - Weight: 10KG / 22lbs
- Fixture measurement and weight are round up, pls contact your representative for exact data.

REGULATORY & VOLUNTARY QUALIFICATIONS

| | |
|-----------------------------|-----|
| cULus List | Yes |
| DLC List | Yes |
| Lighting Facts Label | Yes |
| LM79 Report | Yes |
| Suitable for Damp Locations | Yes |

ZONAL FLUX DIAGRAM

| T | C0 | C45 | C90 | C135 | C180 | C225 | c270 | c315 |
|----|-------|-------|-------|-------|--------|--------|--------|--------|
| 10 | 1448 | 1448 | 1447 | 1447 | 1445 | 1468 | 1436 | 1439 |
| 20 | 1382 | 1379 | 1371 | 1376 | 1376 | 1360 | 1350 | 1361 |
| 30 | 1269 | 1260 | 1243 | 1256 | 1263 | 1235 | 1214 | 1237 |
| 40 | 1112 | 1096 | 1069 | 1091 | 1108 | 1066 | 1037 | 1069 |
| 50 | 913.6 | 891.9 | 862.2 | 887.4 | 910.4 | 859.5 | 824.5 | 862.9 |
| 60 | 682.6 | 659.8 | 632.2 | 657.3 | 677.9 | 626.4 | 591.1 | 628.9 |
| 70 | 424.4 | 409.1 | 388.6 | 408.0 | 421.7 | 378.0 | 348.0 | 379.7 |
| 80 | 164.7 | 160.1 | 150.3 | 160.2 | 163.3 | 134.7 | 116.3 | 135.4 |
| 90 | 2.903 | 3.619 | 3.309 | 3.512 | 0.5786 | 0.1069 | 0.1123 | 0.1169 |

LUMINOUS INTENSITY:cd

ZONAL LUMEN SUMMARY

| T | φ zone | φ total | % lum, lamp |
|-------|--------|---------|-------------|
| 0-10 | 138.9 | 138.9 | 3.33,3.33 |
| 10-20 | 398.5 | 537.5 | 12.9,12.9 |
| 20-30 | 605.0 | 1143 | 27.4,27.4 |
| 30-40 | 730.6 | 1873 | 44.9,44.9 |
| 40-50 | 756.8 | 2630 | 53,53 |
| 50-60 | 681.4 | 3311 | 79.3,79.3 |
| 60-70 | 514.8 | 3826 | 91.6,91.6 |
| 70-80 | 283.7 | 4110 | 98.4,98.4 |
| 80-90 | 63.24 | 4173 | 99.9,99.9 |

UNIT:lm

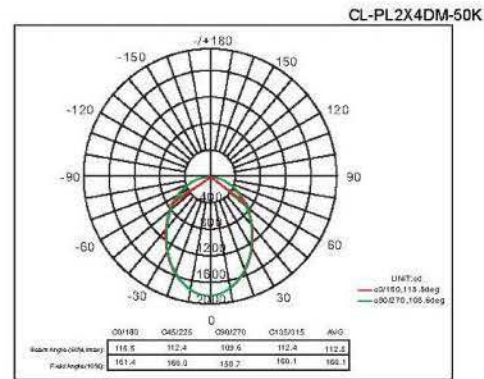
COEFFICIENTS OF UTILIZATION

| ppc | 80% | | | 70% | | | 50% | | | 30% | | | 10% | | | 0 |
|------|-----------------------|-----|-----|-----|-----|-----|-----|-----|-----|-----|-----|-----|-----|-----|-----|----|
| | pw | 30% | 10% | 50% | 30% | 10% | 50% | 30% | 10% | 50% | 30% | 10% | 50% | 30% | 10% | 0 |
| pfc | 20% | | | 20% | | | 20% | | | 20% | | | 20% | | | 0 |
| RCR | RCR:Room Cavity Ratio | | | | | | | | | | | | | | | |
| | CU | | | | | | | | | | | | | | | |
| 0 | 119 | 119 | 119 | 116 | 116 | 116 | 111 | 111 | 111 | 106 | 106 | 106 | 102 | 102 | 102 | 0 |
| 100 | 104 | 100 | 96 | 102 | 98 | 94 | 98 | 94 | 91 | 94 | 91 | 89 | 90 | 88 | 86 | 84 |
| 200 | 91 | 84 | 78 | 89 | 83 | 77 | 85 | 80 | 75 | 82 | 78 | 74 | 79 | 75 | 72 | 70 |
| 300 | 80 | 71 | 65 | 78 | 70 | 64 | 75 | 69 | 63 | 72 | 67 | 62 | 70 | 65 | 61 | 59 |
| 400 | 70 | 62 | 55 | 69 | 61 | 55 | 67 | 59 | 54 | 64 | 58 | 53 | 62 | 57 | 52 | 50 |
| 500 | 53 | 54 | 47 | 62 | 53 | 47 | 60 | 52 | 46 | 58 | 51 | 46 | 56 | 50 | 45 | 43 |
| 600 | 57 | 48 | 41 | 56 | 47 | 41 | 54 | 46 | 41 | 52 | 45 | 40 | 51 | 45 | 40 | 38 |
| 700 | 51 | 43 | 36 | 51 | 42 | 36 | 49 | 41 | 36 | 47 | 41 | 36 | 46 | 40 | 35 | 33 |
| 800 | 47 | 38 | 32 | 46 | 38 | 32 | 45 | 37 | 32 | 44 | 37 | 32 | 42 | 36 | 32 | 30 |
| 900 | 43 | 35 | 29 | 42 | 34 | 29 | 41 | 34 | 29 | 40 | 33 | 29 | 39 | 33 | 29 | 27 |
| 1000 | 40 | 32 | 26 | 39 | 31 | 26 | 38 | 31 | 26 | 37 | 31 | 26 | 36 | 30 | 26 | 24 |

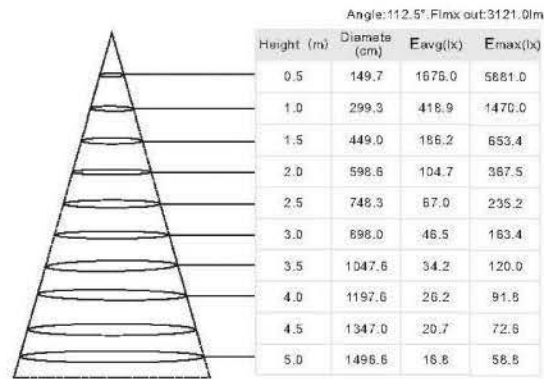
PHOTOMETRY

Fixture photometry has been conducted accredited testing laboratory in accordance with IESNA LM-79-08. IESNA LM-79-08 specifies the entire luminaire as the source resulting in a fixture efficiency of 100%. Result may vary per actual order.

LUMINOUS INTENSITY DISTRIBUTION DIAGRAM



AVERAGE ILLUMINANCE CURVE





BCO Parts
 Phone: 847-455-1686
 Fax: 847-455-1706
 info@bcoparts.com

PERFORMANCE SUMMARY

Efficacy: 87LPW

Delivered Light Output: 5496 Lumens

Input Power: 63 Watts

CRI: Ra > 82

DLC CCT Options: 4000k, 5000k

Input Voltage: 120-277 VAC

Input current: 0.5-0.2A

THD: < 20% (at 277V)

Standard Warranty: 5 Years

Standard Lifetime: Designed to L70 minimum 50,000 hours

Mounting: Recessed

Dim on 0-10V dimmer switch, 10%-100% smooth linear dimming

Sign Current: 0.04-0.1 MA

Dimensions: L 47.7" x W 23.7" x H 2.1"

Weight: 10KG / 22lbs

Fixture measurement and weight are round up, pls contact your representative for exact data.

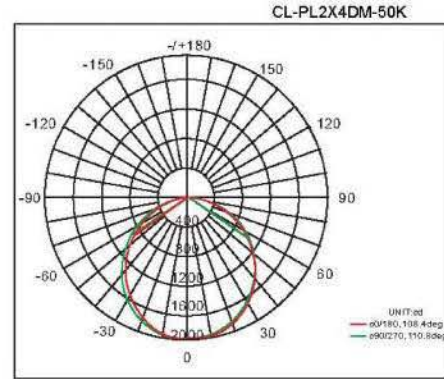
REGULATORY & VOLUNTARY QUALIFICATIONS

| | |
|-----------------------------|-----|
| cULus List | Yes |
| DLC List | Yes |
| Lighting Facts Label | Yes |
| LM79 Report | Yes |
| Suitable for Damp Locations | Yes |

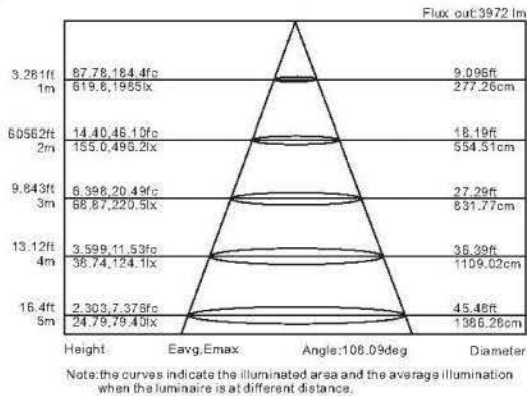
PHOTOMETRY

Fixture photometry has been conducted accredited testing laboratory in accordance with IESNA LM-79-08. IESNA LM-79-08 specifies the entire luminaire as the source resulting in a fixture efficiency of 100%. Result may vary per actual order.

LUMINOUS INTENSITY DISTRIBUTION DIAGRAM



AVERAGE ILLUMINANCE CURVE



ZONAL FLUX DIAGRAM

| T | C0 | C45 | C90 | C135 | C180 | C225 | C270 | C315 |
|-----|------------------------|--------|-------|--------|--------|-------|-------|-------|
| 10 | 1947 | 1953 | 1963 | 1971 | 1945 | 1939 | 1929 | 1927 |
| 20 | 1834 | 1850 | 1876 | 1884 | 1830 | 1823 | 1809 | 1804 |
| 30 | 1648 | 1675 | 1717 | 1722 | 1645 | 1640 | 1625 | 1621 |
| 40 | 1401 | 1435 | 1485 | 1491 | 1401 | 1401 | 1389 | 1385 |
| 50 | 1113 | 1152 | 1203 | 1207 | 1120 | 1121 | 1114 | 1108 |
| 60 | 805.9 | 840.1 | 885.8 | 885.0 | 815.4 | 815.4 | 810.8 | 805.1 |
| 70 | 484.2 | 508.0 | 545.4 | 542.6 | 490.0 | 491.7 | 493.3 | 483.0 |
| 80 | 172.4 | 183.3 | 203.4 | 203.7 | 177.6 | 178.7 | 177.1 | 170.8 |
| 90 | 0.0075 | 0.0388 | 0.537 | 0.1402 | 0.2309 | 0 | 0 | 0 |
| DEG | LUMINOUS INTENSITY: cd | | | | | | | |

ZONAL LUMEN SUMMARY

| T | φ zone | φ total | lum, lamp |
|-------|----------|---------|------------|
| 0-10 | 187.6 | 187.6 | 3.41, 3.41 |
| 10-20 | 537.2 | 724.8 | 13.2, 13.2 |
| 20-30 | 812.1 | 1537 | 28, 28 |
| 30-40 | 972.4 | 2509 | 45.7, 45.7 |
| 40-50 | 997.0 | 3505 | 53.8, 53.8 |
| 50-60 | 888.0 | 4394 | 80, 80 |
| 60-70 | 663.5 | 5058 | 92, 92 |
| 70-80 | 360.4 | 5418 | 98.6, 98.6 |
| 80-90 | 75.40 | 5494 | 100, 100 |
| | UNIT: lm | | |

COEFFICIENTS OF UTILIZATION

| ppc | 80% | | | | 70% | | | | 50% | | | | 30% | | | | 10% | | | | 0 |
|------|------------------------|-----|-----|-----|-----|-----|-----|-----|-----|-----|-----|-----|-----|-----|-----|-----|-----|-----|----|--|---|
| | 50% | 30% | 10% | 50% | 30% | 10% | 50% | 30% | 10% | 50% | 30% | 10% | 50% | 30% | 10% | 50% | 30% | 10% | 0 | | |
| pw | 20% | | | | 20% | | | | 20% | | | | 20% | | | | 20% | | | | 0 |
| pfc | 20% | | | | 20% | | | | 20% | | | | 20% | | | | 20% | | | | 0 |
| RCR | RCR: Room Cavity Ratio | | | | CU | | | | | | | | | | | | | | | | |
| 0 | 119 | 119 | 119 | 116 | 116 | 116 | 111 | 111 | 111 | 106 | 106 | 106 | 102 | 102 | 102 | 102 | 102 | 102 | 0 | | |
| 100 | 104 | 100 | 96 | 102 | 98 | 95 | 98 | 95 | 92 | 94 | 91 | 89 | 90 | 88 | 86 | 86 | 86 | 84 | 84 | | |
| 200 | 91 | 84 | 79 | 89 | 83 | 78 | 86 | 80 | 76 | 82 | 78 | 74 | 79 | 76 | 72 | 72 | 70 | 70 | 70 | | |
| 300 | 80 | 72 | 65 | 78 | 71 | 65 | 75 | 69 | 64 | 73 | 67 | 63 | 70 | 65 | 61 | 61 | 59 | 59 | 59 | | |
| 400 | 71 | 62 | 55 | 70 | 61 | 55 | 67 | 60 | 54 | 65 | 59 | 54 | 63 | 57 | 53 | 53 | 51 | 51 | 51 | | |
| 500 | 53 | 54 | 48 | 62 | 54 | 48 | 60 | 53 | 47 | 58 | 52 | 46 | 56 | 51 | 46 | 44 | 44 | 44 | 44 | | |
| 600 | 57 | 48 | 42 | 56 | 48 | 42 | 54 | 47 | 41 | 53 | 45 | 41 | 51 | 45 | 40 | 38 | 38 | 38 | 38 | | |
| 700 | 52 | 43 | 37 | 51 | 43 | 37 | 49 | 42 | 36 | 48 | 41 | 36 | 47 | 40 | 36 | 34 | 34 | 34 | 34 | | |
| 800 | 47 | 39 | 33 | 46 | 38 | 32 | 46 | 38 | 33 | 44 | 37 | 32 | 43 | 37 | 32 | 30 | 30 | 30 | 30 | | |
| 900 | 43 | 35 | 30 | 43 | 35 | 29 | 42 | 34 | 29 | 40 | 34 | 29 | 39 | 33 | 29 | 27 | 27 | 27 | 27 | | |
| 1000 | 40 | 32 | 27 | 39 | 32 | 27 | 38 | 31 | 27 | 38 | 31 | 27 | 37 | 31 | 26 | 25 | 25 | 25 | 25 | | |

